



TUBABSORBER® / SY

TUNED LF ABSORPTION PANEL



Image of 103x40cm models Ref.:TUB103 (on the left with and without MOTIF® finishing), 120x30cm model Ref.:TUBSY120 and Ref.:TUB103 applied (ambient image).

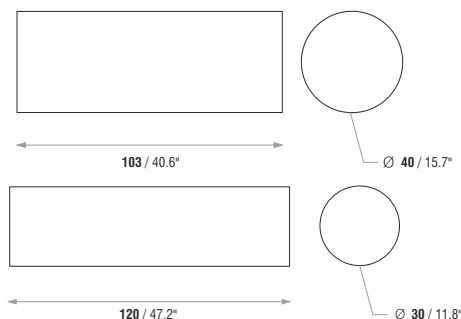
DESCRIPTION

The Tubabsorber® and Tubabsorber® SY are the most important absorbing elements of medium/low frequencies in our catalog. They were created to take most advantage in areas of high acoustic pressure that is normally generated in the corners of rooms. Due to the way they work each model can be mounted on the floor or suspended on ceilings. When they are installed on the floor they are easy to assemble and to adjust in order to optimise the results. Due to its smallest resonance chamber the Tubabsorber®SY is tuned to a higher frequency, 250Hz, while the Tubabsorber® is tuned slightly below 200Hz. The materials used in its manufacture are very light and highly efficient what gives to these models versatility, efficiency and ease of assembly.

FEATURES

- Uses 60% of recycled materials.
- Tuned to 200Hz (TUB103) and 250Hz (TUBSY120).
- LF Average absorption: **0.69/m²** (Tubabsorber®) and **0.45/m²** (Tubabsorber®SY) [$>50\text{Hz}; <250\text{Hz}$].
- Fire-resistance: Euroclass B (similar to old M1).
- 100% recyclable.
- Installation: accessories included

TECHNICAL DRAWINGS

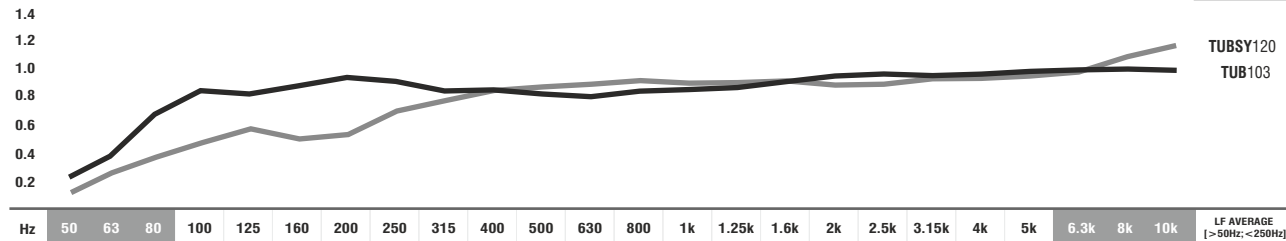


MODELS AND SIZES

MODELS	HEIGHT	DIAMETER	WEIGHT
TUB103	103 cm (40.6 in)	Ø 40 cm (15.7 in)	8.2 Kg (18.08 lbs)
TUBSY120	120 cm (47.2 in)	Ø 30 cm (11.8 in)	7 Kg (15.43 lbs)

ABSORPTION COEFFICIENT

αS	0.24	0.38	0.66	0.82	0.80	0.85	0.92	0.88	0.82	0.83	0.80	0.79	0.81	0.82	0.84	0.87	0.92	0.94	0.93	0.94	0.96	0.97	0.98	0.97	0.69
αS	0.14	0.28	0.39	0.48	0.57	0.51	0.55	0.70	0.79	0.83	0.86	0.89	0.92	0.90	0.91	0.92	0.88	0.90	0.94	0.94	0.96	0.99	1.09	1.19	0.45



■ ABSORPTION COEFFICIENT: Values in accordance with the standards: EN 20654, ASTM C423 and EN 11654. ■ Values [$<100\text{Hz}$ and $>5\text{K}$] are Non Standard Values.

STANDARD FABRIC COLOURS



IMPORTANT NOTICES

- JOCAVI® accepts no responsibility for any printing errors. Specifications can be modified without prior notice, if technical or commercial reasons so require.
- RAL® is an international independent colour standard system partner for industry, trade, architecture and design. Should be consulted before placing any order.
- The colours shown on this catalogue are only a reference and an illustration of the products finishing. The colours shown are not binding because brightness, contrast and colour balance may vary due to the printing process.
- Colours may vary due to raw-material suppliers' changes and some differences may occur in tonal range.
- Wood and Fabric products are highly susceptible to change its appearance with humidity and temperature. Close attention must be paid to the storage conditions and the acclimatization before, during and after the installation.
- Typical Indoor Comfort Standards state a temperature range of 20°C - 27°C (68°F - 81°F), and a relative humidity of less than 60%. These would be considered as normal operational levels of JOCAVI® products' range.
- Despite all the standard sizes of all products, this model can be customised upon previous consultation. Sizes may vary slightly due to their production method and some inherent raw-materials characteristics.

