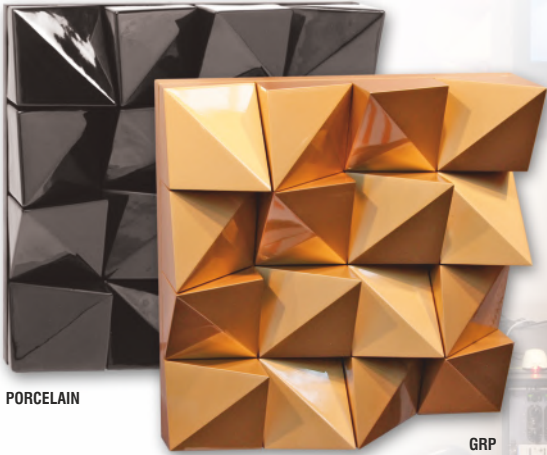




# CERAFLECTOR®

DIFFUSION PANEL



PORCELAIN

GRP

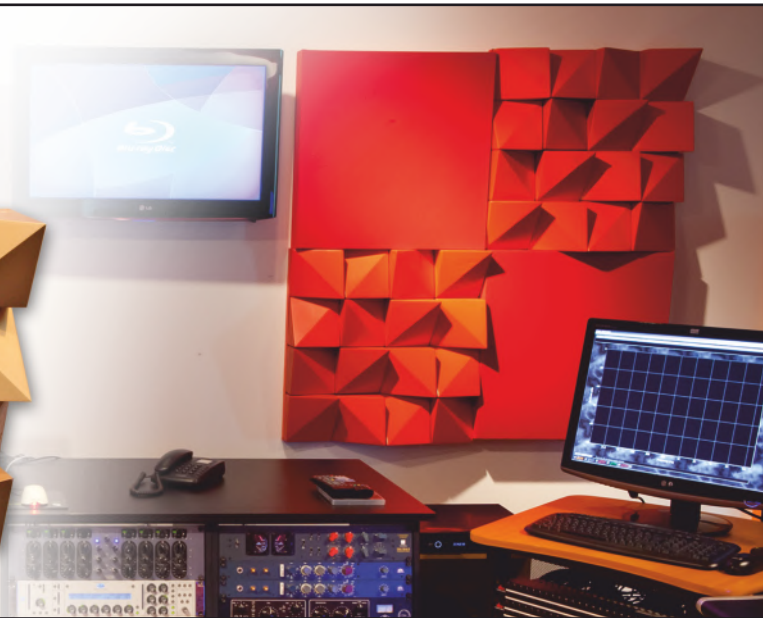


Image of 60x60cm model Ref.:CER060 (on the left) and the same model applied (ambient image).

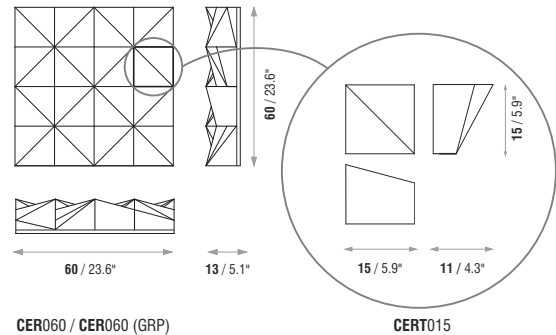
## DESCRIPTION

The acoustic treatment panel CERAFLECTOR® is a 3D controlled dispersion multidirectional reflection panel and its modular design makes it unique in the market. It is built in two different models: in porcelain (CER060) and with the high-density GRP (CER060GRP)

The angles of reflection of this radial diffusion panel were thoroughly calculated. The depth factor is logarithmically varied and it is, therefore, a three-dimension omnidirectional reflection panel.

The CERAFLECTOR® panel controls primary reflections and fragments them in 64 vertices of incidence using the theoretical numerical sequence ratio of the primitive root as a basis for calculation. Thus, it produces exceptional results of sound diffusion in all directions and provides spaces with considerable sound perception.

## TECHNICAL DRAWINGS



CER060 / CER060 (GRP)

CERT015

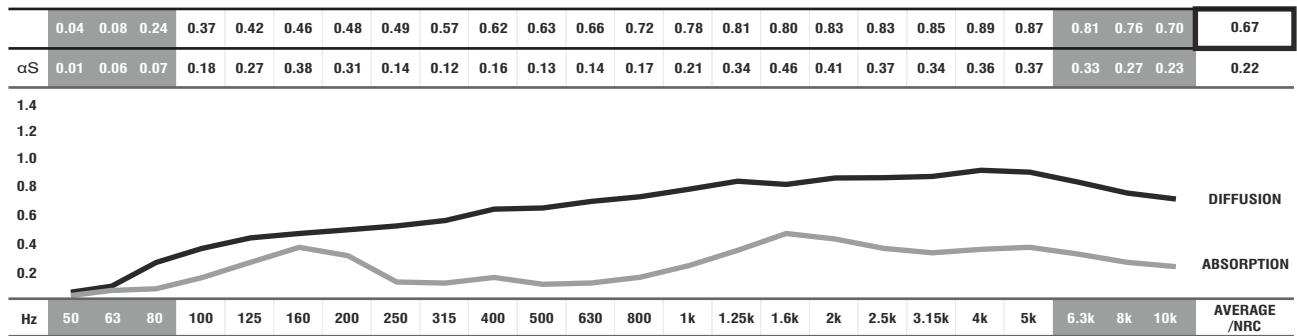
## FEATURES

- Made of Porcelain or GRP.
- Average diffusion: **0.67/m²** [ $>100\text{Hz}$ ;  $<5\text{KHz}$ ].
- NRC: **0.22/m²** [ $>250\text{Hz}$ ;  $<10\text{KHz}$ ].
- 100% recyclable.
- Fire-resistance: Euroclass A1 (similar to old M0) for porcelain; B-s1,d0 (similar to old M1) for high-density GRP model.
- Installation: accessories included.

## MODELS AND SIZES

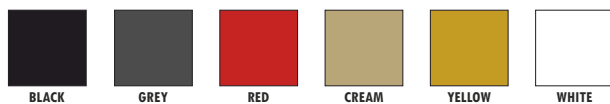
MODELS	HEIGHT	WIDTH	DEPTH	WEIGHT
CER060	60 cm (23.6 in)	60 cm (23.6 in)	13 cm (5.1 in)	23.7 Kg (52.25 lbs)
CER060 (GRP)	60 cm (23.6 in)	60 cm (23.6 in)	13 cm (5.1 in)	17.6 Kg (38.80 lbs)
CERT015	15 cm (5.9 in)	15 cm (5.9 in)	11 cm (4.3 in)	1.4 Kg (3.09 lbs)

## DIFFUSION - ABSORPTION COEFFICIENT

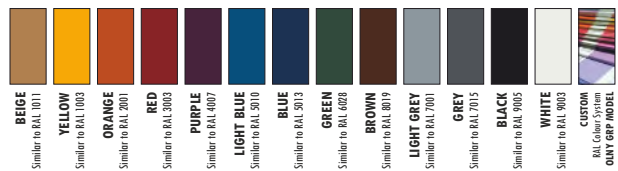


■ ABSORPTION COEFFICIENT: Values in accordance with the standards: EN 20654, ASTM C423 and EN 11654. ■ Values [ $<100\text{Hz}$  and  $>5\text{K}$ ] are Non Standard Values.  
 ■ DIFFUSION COEFFICIENT: These values were obtained by mathematical calculations and tests carried out in our laboratory.

## STANDARD CERAMIC COLOURS



## STANDARD GRP COLOURS



## IMPORTANT NOTICES

- JOCAVI® accepts no responsibility for any printing errors. Specifications can be modified without prior notice, if technical or commercial reasons so require.
- RAL® is an international independent colour standard system partner for industry, trade, architecture and design. Should be consulted before placing any order.
- The colours shown on this catalogue are only a reference and an illustration of the products finishing. The colours shown are not binding because brightness, contrast and colour balance may vary due to the printing process.
- Colours may vary due to raw-material suppliers' changes and some differences may occur in tonal range.
- Sizes may vary slightly due to their production method and some inherent raw-materials characteristics.

