



**AIRPERF®**  
ABSORBENT PANEL



PERFORATED METAL



Image of 120x60cm model Ref.:MTPF100Q.

## DESCRIPTION

JOCAVI® has developed this range of acoustic absorbent panels, mainly meant for stadiums, large halls, airports, subways and bus stations, as well as for industrial applications. It can also be applied in moist environments and outdoors.

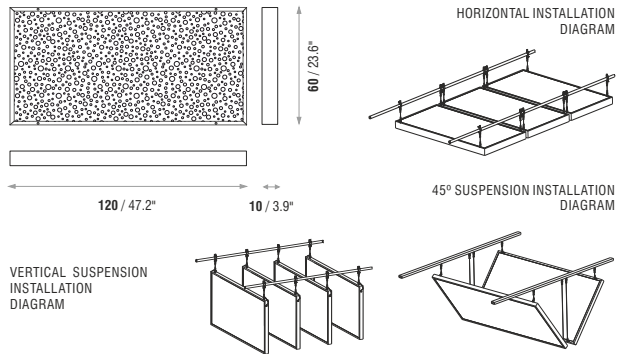
This panel's structure is made on a perforated metal lacquered plate, which gives the product a good robustness; the interior is built by combining absorbent raw materials made from mineral fibers in different layers and densities. These products are applicable to ceilings and suspended with the provided accessories.

The typical public and industrial spaces require an adequate planning of acoustics in order to provide good sound reception. Due to its composite absorption layer, the AIRPERF® has a good absorption coefficient in mid and mid-low spectrum, which is very important to reduce the airborne noise in the frequencies common noise range.

## FEATURES

- Made of metal lacquered plate and different raw absorbent materials inside.
- NRC: **0.76/m²**.
- Fire-resistance: B-s1,d1 (similar to old M1).
- Several combinations and positionings: vertical, horizontal and 45°.
- Good robustness and airborne noise control.
- Suitable for areas with large space, subways, stadiums, airports and bus stations, pavilions as well as for public or industrial facilities.

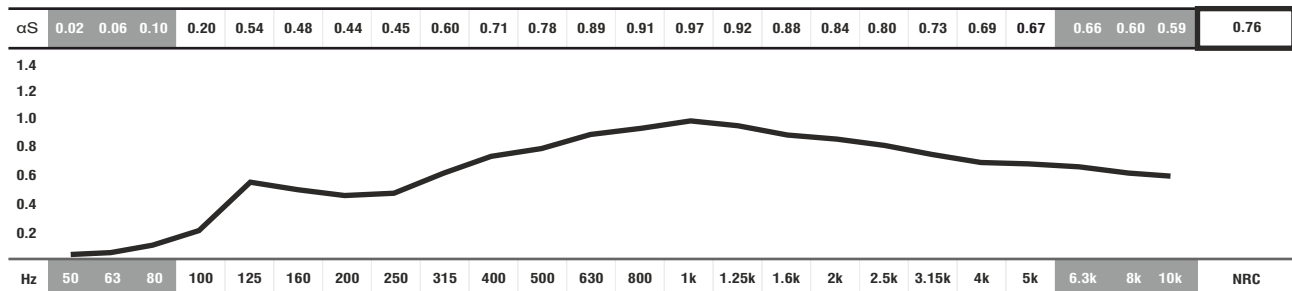
## TECHNICAL DRAWINGS



## MODELS AND SIZES

MODELS	HEIGHT	WIDTH	DEPTH	WEIGHT
MTPF100Q	120 cm (47.2 in)	60 cm (23.6 in)	10 cm (3.9 in)	7.1 Kg (15.65 lbs)

## ABSORPTION COEFFICIENT



■ ABSORPTION COEFFICIENT: Values in accordance with the standards: EN 20654, ASTM C423 and EN 11654.

■ Values [ $<100\text{Hz}$  and  $>5\text{K}$ ] are Non Standard Values.

## STANDARD COLOURS



## IMPORTANT NOTICES

- JOCAVI® accepts no responsibility for any printing errors. Specifications can be modified without prior notice, if technical or commercial reasons so require.
- The colours shown on this catalogue are only a reference and an illustration of the products finishing. The colours shown are not binding because brightness, contrast and colour balance may vary due to the printing process.
- Colours may vary due to raw-material suppliers' changes and some differences may occur in tonal range. Close attention must be paid to the storage conditions and the acclimatization before, during and after the installation.
- Typical Indoor Comfort Standards state a temperature range of 20°C - 27°C (68°F - 81°F), and a relative humidity of less than 60%. These would be considered as normal operational levels of JOCAVI® products' range.
- Despite all the standard sizes of all products, this model can be customised upon previous consultation. Sizes may vary slightly due to their production method and some inherent raw-materials characteristics.

